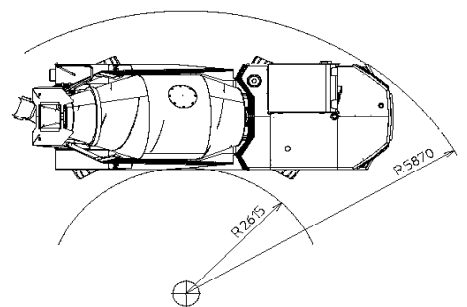
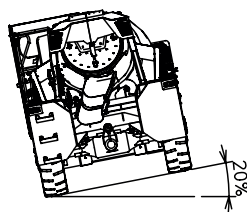
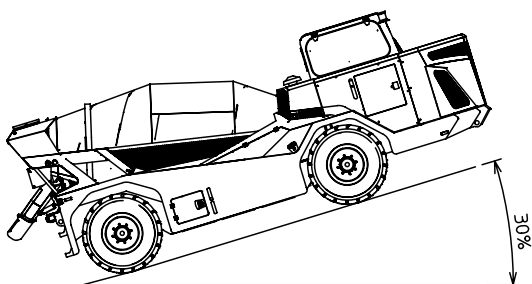
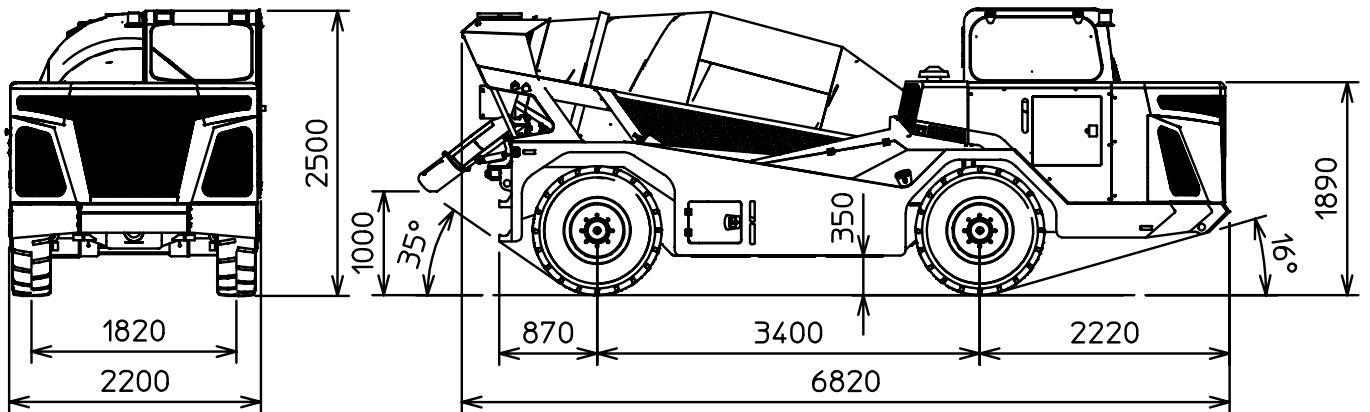


COGUARO 4



Dimensions and Performances



COGUARO 4

Main Features

- Diesel engine
STEP III-A
- Diesel engine
STEP VI- Final
- Driving cab
ROPS-FOPS certification
closed type
rear view camera
- Service brakes
multi-disc type, in oil bath on both axles
hydraulic, with independent circuits
internal SAHR discs
- Parking brake
negative
hydraulic operation
on both axles
- Electrical system
24 V
battery 2 x 120 Ah
alternator 80 A
front lights 2 x 55 W
rear lights 2 LED
- Washing system
high pressure water pump, 50 l/min – 50 bars
hydraulic drive
nozzle and 10 m of pipe
water tank , 220 l
- Drum
anti-spillage rear hatch
two man holes
water meter
antirebound device
locking system
two rollers diam. 250 mm
CSD (Constant Speed Drive) drum functionality during the road transfer and operations

Optional

- Anti-particulate filter (FAP)
- Cold and warm air-conditioning
- Cold or hot climate oil
- Low flammable oil
- ANSUL fire suppression system on Diesel engine

Drum Technical Data

Nominal capacity	<i>m</i> ³	4
Geometric volume	<i>m</i> ³	4,8
Filling ratio	%	0,83
Water line	L	4000
Rotation speed	<i>rpm</i>	17
Diameter	<i>mm</i>	1750
Rollers	<i>N</i> ^o	2

Truck Chassis Technical Data

Installed power	<i>kW</i>	121
Turning circle	<i>m</i>	2,615
Wheelbase	<i>m</i>	3,4
Coupling angle		16°
Outlet angle		35°
Truck tyres		12.0R20
Net Weight (dry)	<i>Kg</i>	10.000
Max. Weight	<i>Kg</i>	21.000
Max speed without load	<i>Km/h</i>	25
Max speed at full load	<i>Km/h</i>	15
Max speed without load in ascent, 30%	<i>Km/h</i>	15
Max speed at full load in ascent, 30%	<i>Km/h</i>	5



Technical data and characteristics subject to modifications without notice

